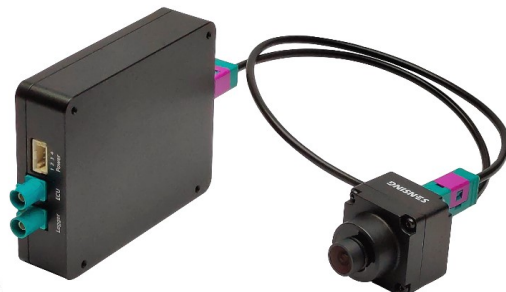


# GMSL/GMSL2 Bypass

## GMSL/GMSL2 Bypass

### GENERAL DESCRIPTION

GMSL / GMSL2 Bypass is designed by SENSING Technology Co., Ltd., which can realize one GMSL input and two GMSL outputs of the same data; it is suitable for GMSL cameras. Or which can realize one GMSL2 input and two GMSL2 outputs of the same data; it is suitable for GMSL2 cameras.



### KEY PARAMETERS

Transport Protocol	GMSL / GMSL2
Number of Input Port	See Page2
Number of Output Port	See Page2
Input Interface	1*GMSL / 1*GMSL2
Output Interface	1*GMSL / 2*GMSL2
Data Rate Supported	1.5G, 3Gbps, 6Gbps
Support Resolution	Up to 3840*2160
Output synchronization accuracy	< 10us
Power Supply	Yes
Connector	Fakra Z Type
Operating temp. range	-40~+85°C
Dimensions	L:87.5mm, W: 70.6mm, H:20mm
Color	Black
Weight	<150g



### Features

- Lossless data transmission
- Low latency/ Microsecond level
- Low insert loss
- Suitable for various cameras



### Application

- Autonomous Driving
- Video Data acquisition vehicle
- Laboratory



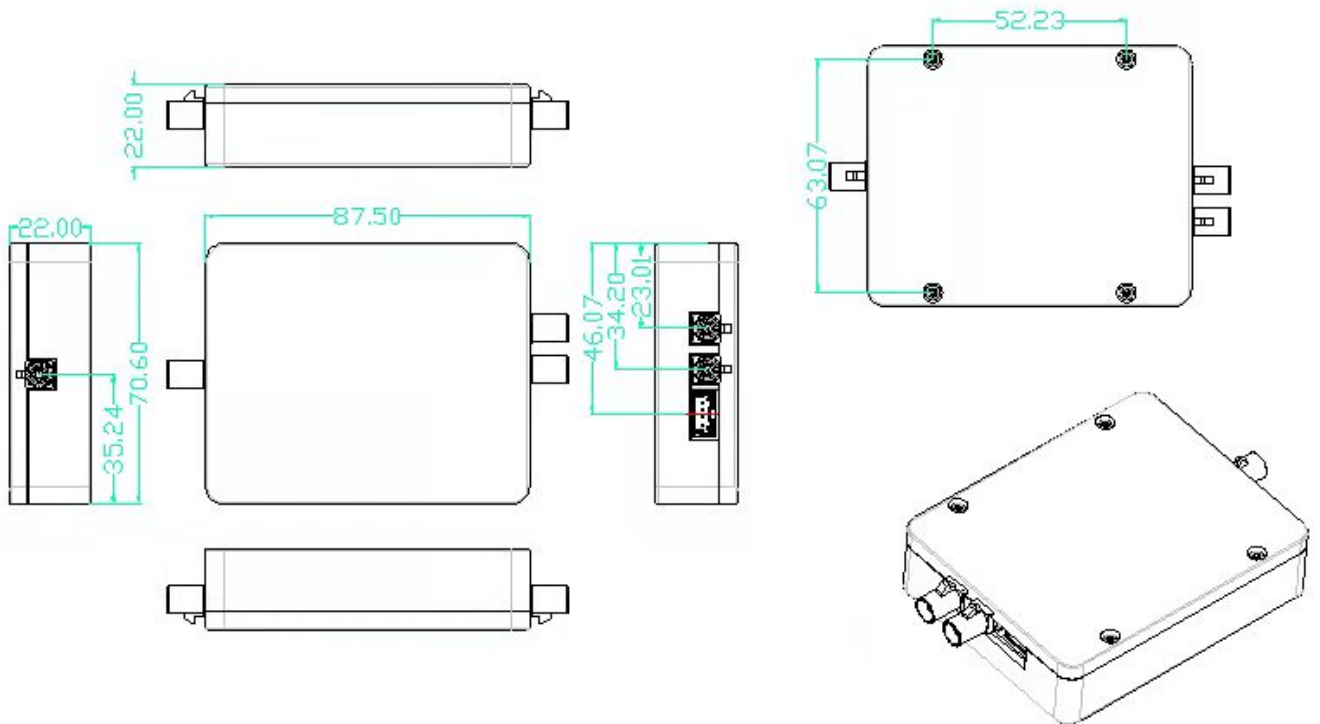


**PRODUCT MODELS**

Model	Input Port	Output Port	Resolution and max fps	Supported serializers	Data Rate Supported
SG2-BP0102-GMSL	1CH	2CH	Up to 1920*1080@30fps	MAX96705	1.5Gbps
SG8-BP0102-GMSL2	1CH	2CH	Up to 3840*2160@30fps	MAX9295A	6Gbps
SG8-BP0102-GMSL2F	1CH	2CH	Up to 1920*1080@30fps	MAX6717F	3Gbps

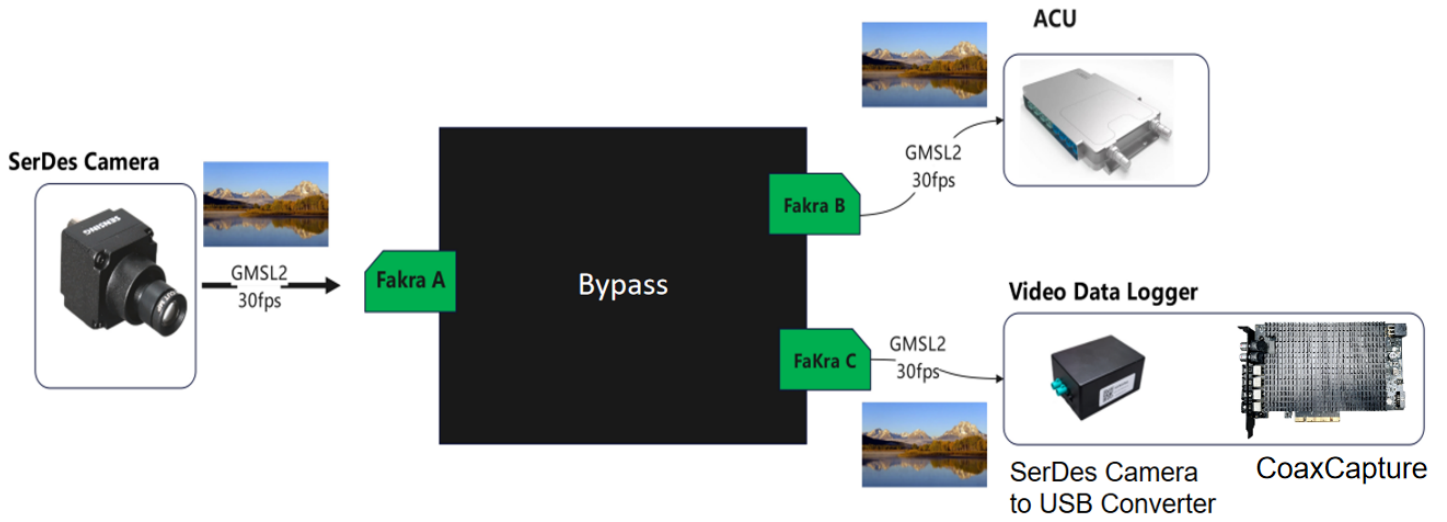


**DIMENSIONS**



 ACCESSORIES

→ Connection diagram

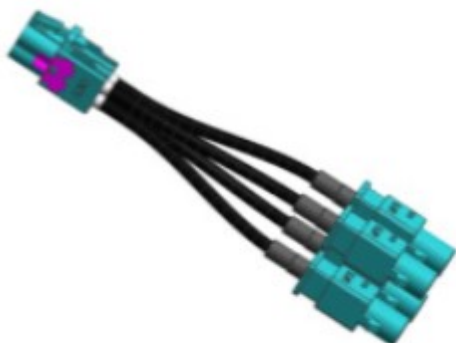




## ACCESSORIES

### → Coaxial Cable

Product Name	Order PN#	Specification
Mini-fakra Coaxial Cable 4-in-1 (TE)	T4JC-JS-ZZZZ-0500A	Mini-fakra, 4 in 1, 0.5m, Male to Female
Mini-fakra Coaxial Cable 4-in-1(Rosenberg)	R4PC-JS-ZZZZ-0500L	Mini-fakra, 4 in 1, 0.5m, Male to Female
Mini-fakra Coaxial Cable 4-in-1(Rosenberg)	R4JC-JS-ZZZZ-0500L	Mini-fakra, 4 in 1, 0.5m, Female to Female
Camera coaxial Cable	SG-JSZPSZ2000L	2M, Male to Female, IP67
Camera coaxial Cable	SG-JSZJSZ2000L	2M, Female to Female, IP67
Camera coaxial Cable	SG-JSZPSZ3000L	3M, Male to Female, IP67
Camera coaxial Cable	SG-JSZJSZ3000L	3M, Female to Female, IP67
Camera coaxial Cable	SG-JSZPSZ5000L	5M, Male to Female, IP67
Camera coaxial Cable	SG-JSZJSZ5000L	5M, Female to Female, IP67
Camera coaxial Cable	SG-JSZJSZ7000L	7M, Female to Female, IP67
Camera coaxial Cable	SG-JSZJSZ8000L	8M, Female to Female, IP67
Camera coaxial Cable	SG-JSZPSZL100L	10M, Male to Female, IP67
Camera coaxial Cable	SG-JSZJSZL100L	10M, Female to Female, IP67
Camera coaxial Cable	SG-JSZJSZL120L	12M, Female to Female, IP67
Camera coaxial Cable	SG-JSZJSZL160L	16M, Female to Female, IP67
Camera coaxial Cable	SG-JSZJSZL200L	20M, Female to Female, IP67





# Contact Us

## ShenZhen SENSING Technology Co.,Ltd.

HQ Address: 8/F,block B, building 1,wisdom home,No.76,Baohe Avenue,Baolong street, Longgang District, Shenzhen

Phone: +86-755-28990915

Email: [Sales@sensing-world.com](mailto:Sales@sensing-world.com)

Company Website: [www.sensing-world.com](http://www.sensing-world.com)

Online Message: <https://www.sensing-world.com/lxwm>



WECHAT



SKYPE



WhatsApp

