

【CyberCobra】GMSL Video Injection Card



【CyberCobra】GMSL Video Injection Card

Version 1.0

CIG3-8H

Product introduction

【CyberCobra】 GMSL Video Injection Card (Hereinafter referred to as video injection card) is an high-speed image product based on FPGA ,and it independently developed by SZ sensing tech co., Ltd. (for short as SENSING), a series of SENSING Image Solution.

The video injection card adopts PCIe Gen3 technology, which can realize 8-channel video/image injection, and adopts high-precision multi-channel time synchronization technology to ensure that multi-channel data can be synchronized output, and the product is widely used in the hardware-in-the-loop HIL simulation system, digital acquisition and re-injection system, and video playback system and other scenarios.

Product connection pattern

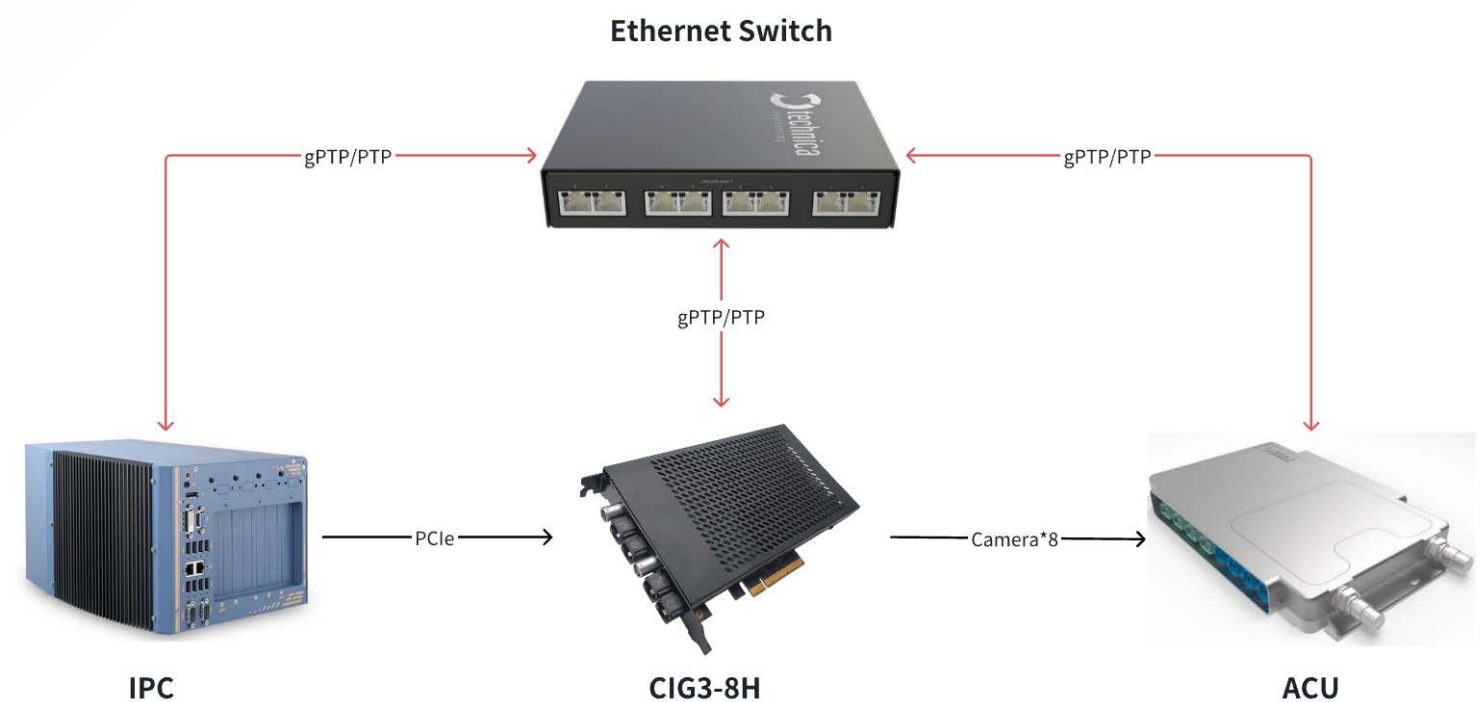
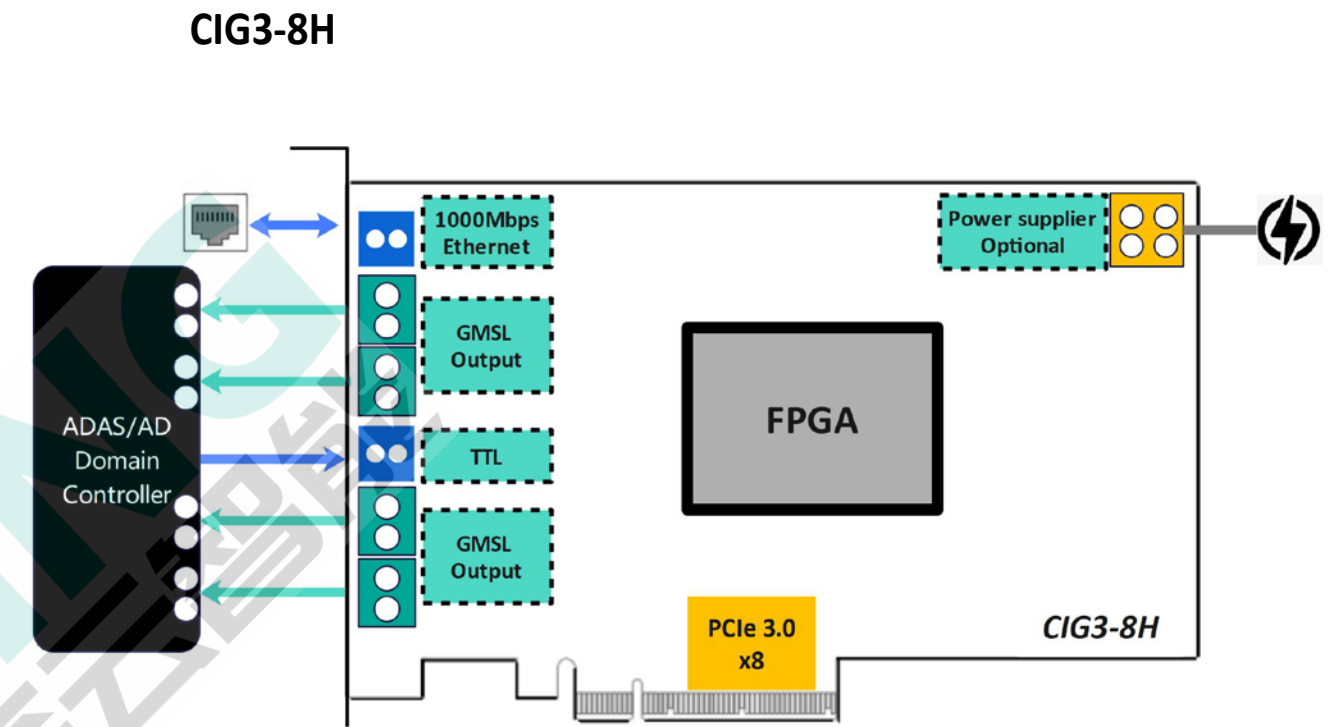
✓ CIG3-8H:

- 8 channel GMSL output, support up to 8 MP@ 30 fps;
- PCIe Gen3*8lane bus;
- Support external trigger synchronous output;
- Support Simulate sensor to interact with ACU;

Typical Applications

✓ Domain-controller image reinjection and simulation test platform

- Support user to inject the video data of capturing the hard disk
- Support for user injection of video data rendered by GPU graphics card emulation
- Support for external trigger signals to control the simultaneous output of all channels
- Support synchronized output according to timestamp
- Support gPTP/PTP synchronous



Specification parameters

Product name	
Product Name	【CyberCobra】 GMSL Video Injection Card
Model	CIG3-8H
Series	CyberCobra

Product features	
Processor	Xilinx ZU+ system processor
On Board Memory	6 GByte DDR4-RAM
Processor Board Interface	N/A
Ethernet Interfaces	1GigE
I/O Interfaces	TTL Trigger

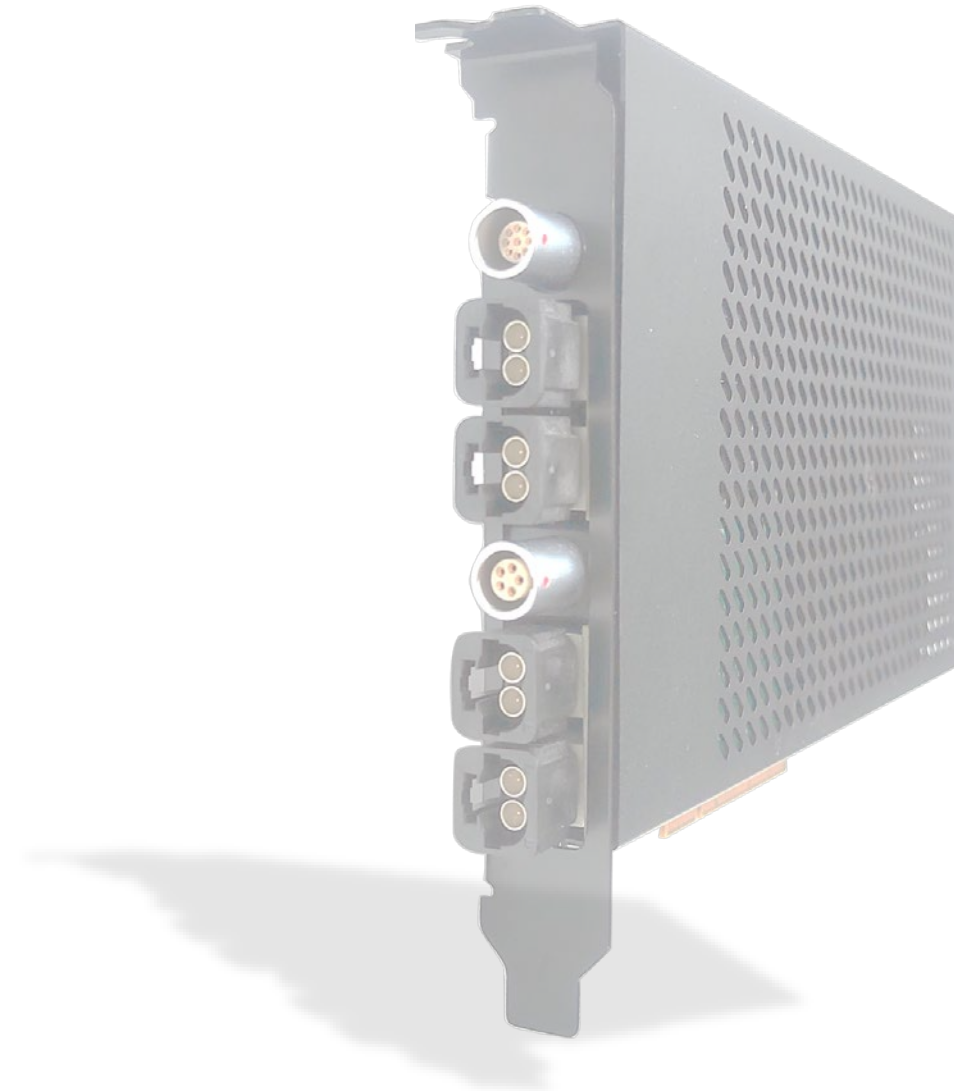
IPC interface	
PC Bus Interface	PCI Express x8 (Gen 3)
PC Bus Interface	Up to 4800 MB/s (sustainable) Performance

Installation structure	
Dimensions	PCIe Standard height Half length card: 167.64mm length x 111.15 mm height
Approximate Weight	300 g
Power Consumption / Power Source	Voltage: 12 V, Typ. Current: 1 A
Operating Temperature	-20°C to 70°C
Storage Temperature	-40°C up to 85°C
Relative Humidity	5% - 90% non-condensing (operating), 0% - 95% (storage)
MTBF	5 years

Software	
Operating System	Linux 64-bit Ubuntu18.04/20.04,Windows
Software Tools	Documentation, SDK

Specification parameters

Video output interface	
Standard	GMSL
Serializer	MAX9295A/MAX96717F/ MAX96717...
Deserializer Support	MAX9296A/MAX96712/MAX96716 MAX96718/MAX96722...
Coax Cable Model	Amphenol Min-fakra Dual MFK2252AW-001-TL30G-50
Cable Length	Amphenol /250mm MKA2FZ-302LL-FKMZ1-21-01
Video Out Support	CIG3-8H: 8 video output
Video Resolution	1-8Mega pixel
Video Format	8 bit (YUV422), 10/12/14 bit (RAW)
Data Bandwidth	6 Gbps per cable





Contact us

SZ sensing tech co.,Ltd

Headquarters address: 8/F, block B, Building,wisdom home
No.76,Baohe Ave Baolong Str Longgang Dist,Shenzhen

TEL:+86-755-28990915

Email: Sales@sensing-world.com

Website: www.sensing-world.com

Online message: <https://www.sensing-world.com/lxwm>



WECHAT



SKYPE



WhatsApp