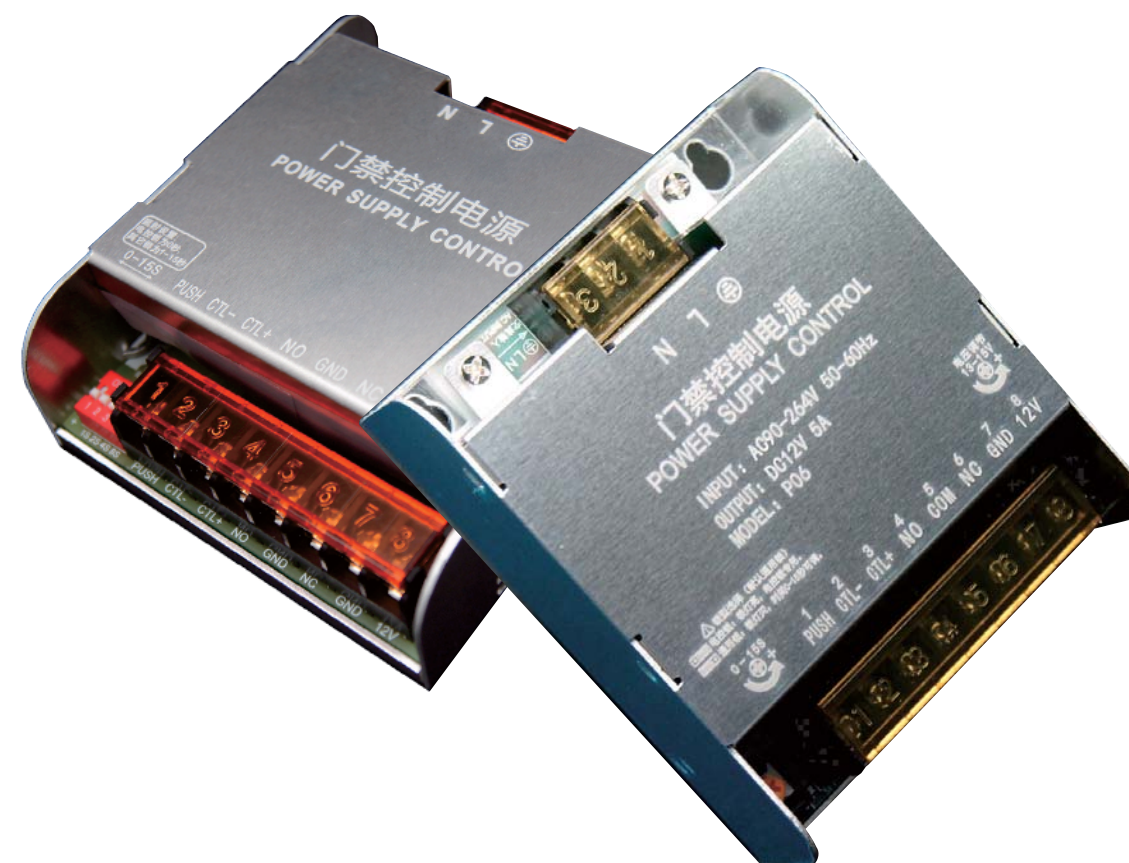


# 门禁控制器/电源 用说明

## Instruction manual for power supply controler box

版本/Version: K1.1



Product instructions  
产品使用说明书

Installation wiring diagram  
安装接线图

注意：产品如有更改，恕不另行通知  
Notice: Product are subject to Change without Prior Notice

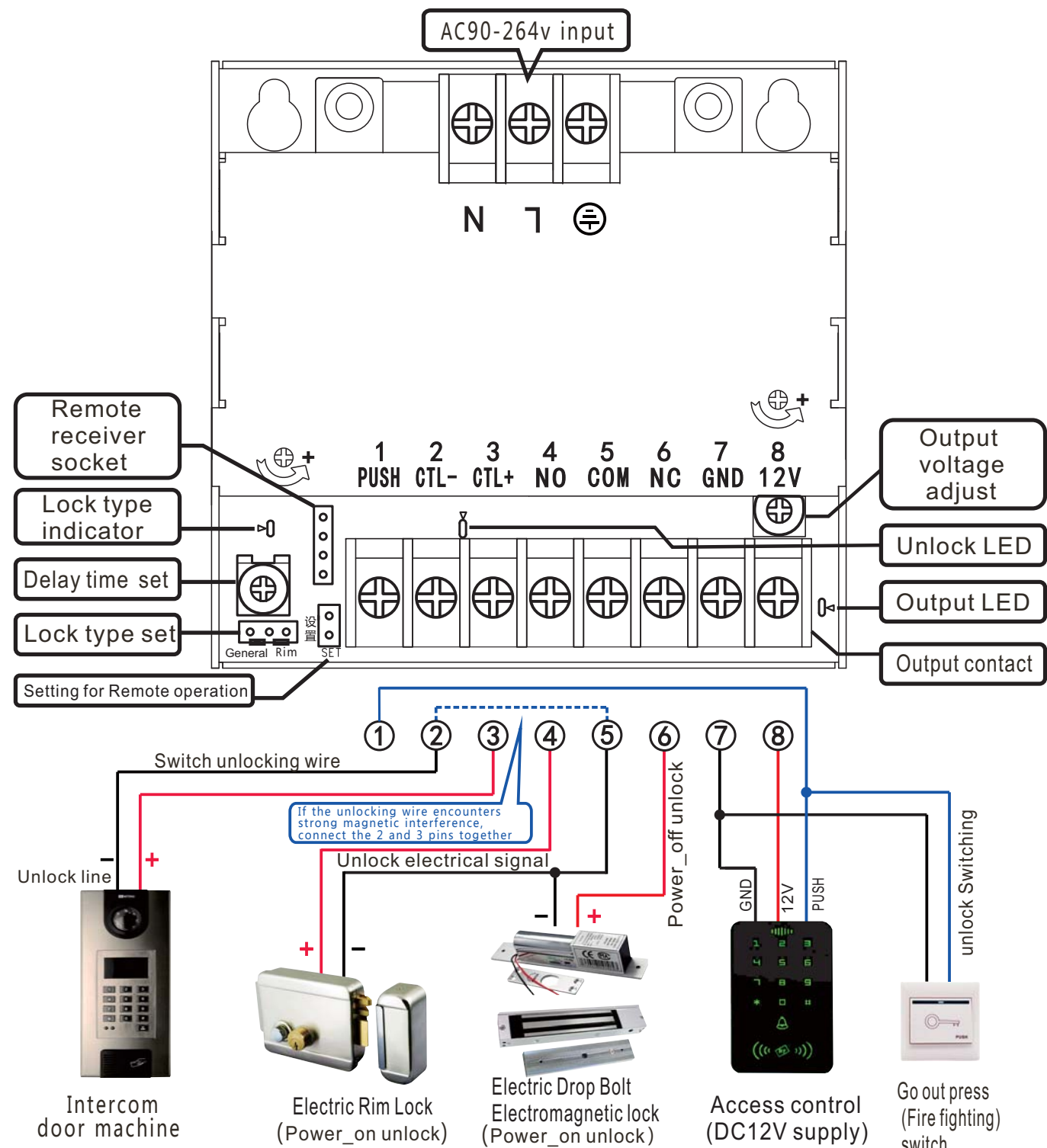
# Instruction manual for power supply controller box

Version K1.1

## 【Specification】

Input voltage: AC90-264V 50-60Hz  
 Output (12V) : DC12V/3A (adjustable 12-15V)  
 Output (NO) : 12V 5.0A (Transient/persistent)  
 Output (NC) : 12V/3A (Persistent)  
 Unlock signal: DC3-30V 1mA  
 PUSH switch: NO contact type  
 Total power : 40W @~220V  
 Remote control: 315MHz/ASK (For option)  
 Lock delay: 0-15s adjustable  
 Remote matching: Smart code matching, up to 20 controls (Buy separately)  
 Operating humidity: 20%-90% non-condensing  
 Casing&Size: Aluminum box,100\*85\*34mm  
 Operating temperature: -20~55°C  
 Install: Wall mount

**【Wiring instruction】** High voltage inside, danger! Please power off when install,wiring and Repair inspection.



(Notice: Product are subject to Change without Prior Notice.)

## 【LED indicator】

- Output LED: the PWD LED turns on when DC output 12v;
- Unlock LED: this LED turns on when in Unlock;
- Lock type LED: if LED turn on, Means now in electric rim lock mode. If LED turn off. Means general Lock mode. Press PUSH or Remote control. The LED will turn On/OFF one time.

## 【 Output contacts】

12V	Positive contact ,DC12-15v (adjustable);
GND	Negative contact,Power ground;
NO	Matching with COM,output 0V;but output 12V after unlocking,delay 0-15s(settable); To connect cathode lock type (unlock if power on);
COM	The common contact of lock, connected with the power supply ground;
NC	Matching with COM,output 12V; but output 0v after unlocking , delay 0-15s(settable); To connect anode lock type (unlock if power off);
CTL+	Unlock electrical signal, positive contact.
CTL-	Unlock electrical signal, negative.it is unlocked after input DC3-30V between CTL+ and CTL-. For example,Connecting the open Signal of intercom door machine.
PUSH	Matching with GND, Connect the push button or fire-fighting control contact. connect to the type of Normal Open switch contact.

## 【AC input】

AC90-264V input contact.

## 【Lock delay & lock type】

Adjust the knob to set the unlocking delay time between 0-15 seconds, According to the type of electric lock used, set a suitable mode to avoid entering automatic protection.

(Factory settings: general lock mode, delaytime 4.5seconds ) .

- General lock mode (lock LED off): when the lock type is set to "general lock", the lock LED turn off, adjust the knob to set delay time between 0~15 seconds.
- Electric rim lock mode (lock LED on): when the lock type is set to "rim lock", the lock LED turn on, , it's high current protection mode, which special for electric rim lock. ( the electric rim lock must set as this mode)

## 【 Output voltage】

Adjusting the knob to set ouput voltage from 12-15v. which can be used to offset the voltage line loss and further transmission. Please adjust the voltage carefully to ensure no damage to the power receiving equipment.

## 【 Setting Remote control】

- 1.Short the 2 pins of SET with Screwdriver, the Lock type LED will turn on(or turn off) few seconds and then turn off ( or turn on). Take off screwdriver. now enter remote setting mode.
- 2.Press the unlock key of the remote control, if the lock type LED turn on for few seconds. means the setting operation succeed and this setting was saved(memorized) in Controller box. now, auto exited setting Mode.
- 3.if no remote signal was Not well received by Controller box, in 10s. LED will turn on and auto exit setting Mode.
- 4.Remote control and Controller box are of same frequency and code. (for Remote control need purchase separately.)
- 5.if short 2 pins of SET for 5seconds. during which, LED will 2 times turn on each for few seconds. and then auto delete all setting(Remote control).

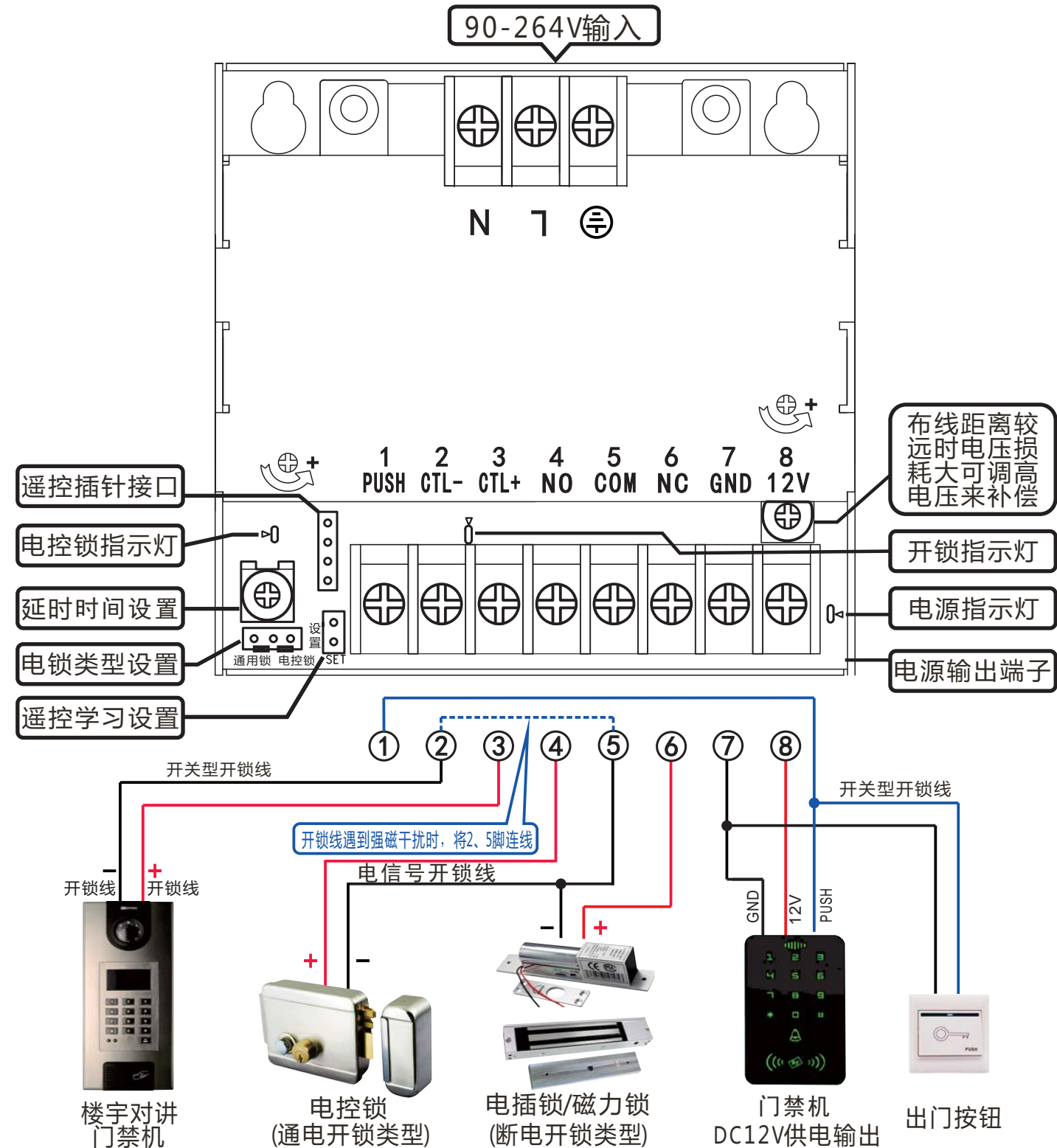


# 门禁控制器/电源 用说明 版本: K1.1

## 【规格参数】

交流输入(L-N): AC90-264V 50-60Hz	供电输出(12V): DC12V/3.0A(可调12-15V)
电锁输出( NO): 12V5.0A (瞬时/持续)	电锁输出( NC): 12V 3.0A (持续)
有源开锁(L+/-): DC3-30V 1mA 电压信号	无源开锁(PUSH): 常开触点开关
总输出功率: 40W @~220V	遥控器规格: 315MHz/ASK调制(选配)
开锁延时: 0-15 秒可调	遥控器设置: 自主学习对码, 最多可设置20个遥控器(选配)
工作湿度: 20%~90%无冷凝	外箱及尺寸: 铝盒, 100*85*34mm
工作温度: -20°C ~ +55°C	安装方式: 挂墙式安装

**【接线说明】** 可靠接地是安全和防雷的规范要求; 箱内有高压, 请断电后再安装接线和检修, 谨防触电!



## 【工作指示说明】

- 电源指示灯: 直流输出正常时, 灯亮;
- 开锁指示灯: 开锁成功, 有输出时灯亮;
- 电控锁指示灯: 灯常亮为电控锁模式, 灯常灭为通用锁模式; 当PUSH或遥控器按下有效时, 锁灯闪亮/灭一次。

## 【交流输入端子】

交流输入 (90-264V) 接线端子。

## 【接线输出端子】

12V	电源正极 12 - 15 V (可调);
GND	电源负极;
NO	与 COM 配对, 常开脚, 常态无电压; 开锁后, 闭合输出电压 12V, 延时0-15秒 (可调) 后恢复断开。用于连接“通电开锁”型的阴极锁, 如电控锁、电机锁等;
COM	电锁公共端, 与电源地联通;
NC	与 COM 配对, 常闭脚, 常态输出 12V。开锁后, 断开无电压输出, 延时0-15秒 (可调) 后恢复输出。用于连接“断电开锁”型的阳极锁, 如磁力锁、电插锁等;
CTL+	有源开锁电压信号输入, 正极; (一般用于连接楼宇对讲门口机的开锁信号正极)
CTL-	有源开锁电压信号输入, 负极。当 CTL+ 与 CTL- 脚之间输入 DC3-30V 电压时, 可控制开锁; (一般用于连接楼宇对讲门口机的开锁信号负极)
PUSH	门禁信号输入口, 与 GND 配对, 连接开门按钮。常开型开关输入, 开关闭合, 触发开锁输出, 控制开锁开门。

## 【开锁延时和锁类型设置】

出厂设置: 通用锁模式、延时时间为4.5秒。

根据驱动的电锁类型, 正确选择电锁模式, 以免误触发限流保护功能。

- 电插锁、磁力锁等通用锁模式 (灯灭): 电锁类型设置在“通用锁”, 锁指示灯灭, 调节旋钮, 可设置延时时间在0-15秒之间;
- 电控锁专用模式 (灯亮): 电锁类型设置在“电控锁”, 锁指示灯亮, 无需调节延时, 专用于驱动电控锁, 此时为大电流工作保护模式。用电控锁时, 必须设置为本模式。

## 【输出电压调节】

调节设置旋钮, 输出电压可调设置在12-15V之间。

请谨慎调节电压, 确保受电设备不损坏。

## 【遥控器设置】

1. 将SET座的2只脚短接一下 (用螺丝批或镊子), 锁型指示灯一长闪亮(灭)后, 松开短路, 即进入遥控设置状态;
2. 按遥控器的开门键, 若指示灯一长亮, 则遥控器已成功记忆到控制器中, 同时退出设置状态。
3. 若控制器没有收到有效的遥控信号, 10秒后, 指示灯一短亮, 则遥控器自动退出设置状态。
4. 遥控器需与控制器处于相同的频率和编码规则; 无线遥控器, 按需要数量另购;
5. 若将SET座的2脚连续短路5秒, 期间指示灯会有2长闪亮。在第2闪亮后, 则清除所有遥控器。

(备注: 设计或规格如有变动, 不再另行通知)

合格证

本产品经  
检验合格准予出厂

型号: 门禁电源

检验员: QC  
PASS

日期: 02